

LS812

Low Intensity Tower Obstruction Light



Products description and applicaiton

- oSteady burning at night, combined with the advanced LED, optical and system control technology to meet the most demanding applications.
- oApplicable to occasions where the wind turbine tower needs to be marked.
- oApplicable to obstacles higher than 45 meters.
- oSuitable for outdoor environments
- oSuitable for high salinity areas



Features

- oProfessional optical design, using professional optical design software, high temperature resistant PC lens to meet optical requirements for long time.
- oLED Light source, long lifetime and low power consumption.
- oThe housing is made of PC material and has good impact strength, thermal stability and flame retardancy.
- oThe bracket is made of stainless steel 316 material, which has good strength and corrosion resistance.
- oThe circuit is electromagnetically compatible and uses LED constant current drive to extend LED life.
- oOperating stably, low maintenance costs

General Specifications

Reference Standards	CAAC	MH6012-2015	Aviation Light
	ICAO	ICAO(Annex 14)14 Volume I	Airport design and operation
Electrical parameters		Mechanical parameters	
Voltage input	DC24V	Body material	Stainless steel316
Power Consumption	Red<5W,Infrared<5W (optional)	Housing material	PC
Light source	LED	Humidity	10%~95%RHP
Lightning surge	IEC61000-4-5 L- L 6kV IEC61000-4-5 L-G 6kV IEC61000-4-2	Temperature	Ta-40 ° C ~ +55 ° C
Electrostatic Discharge	Contact discharge 8kV	IP	IP66
		Wiring	Lead wire 15m
		Color	Yellow●
		Weight	0.7 kg (wire excluded)
Optical parameters		Working mode	Steady burning
Vertical intensity	≥32.5cd	Horizontal angel	360°
Vertical angel	10°		
Light color	Red		

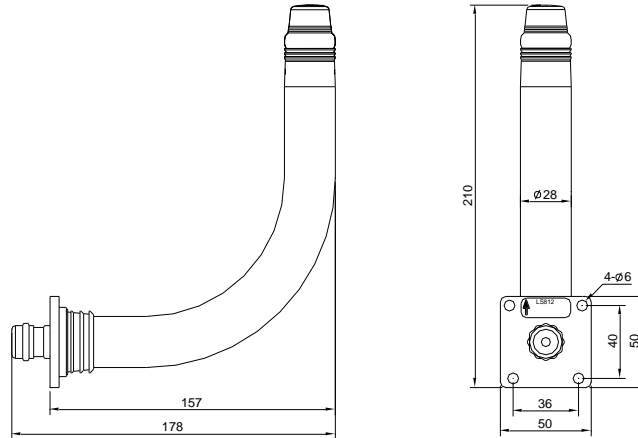
LS812

Low Intensity Tower Obstruction Light

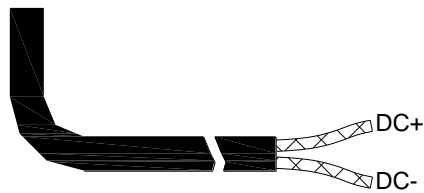


Mounting dimensions

Unit:mm

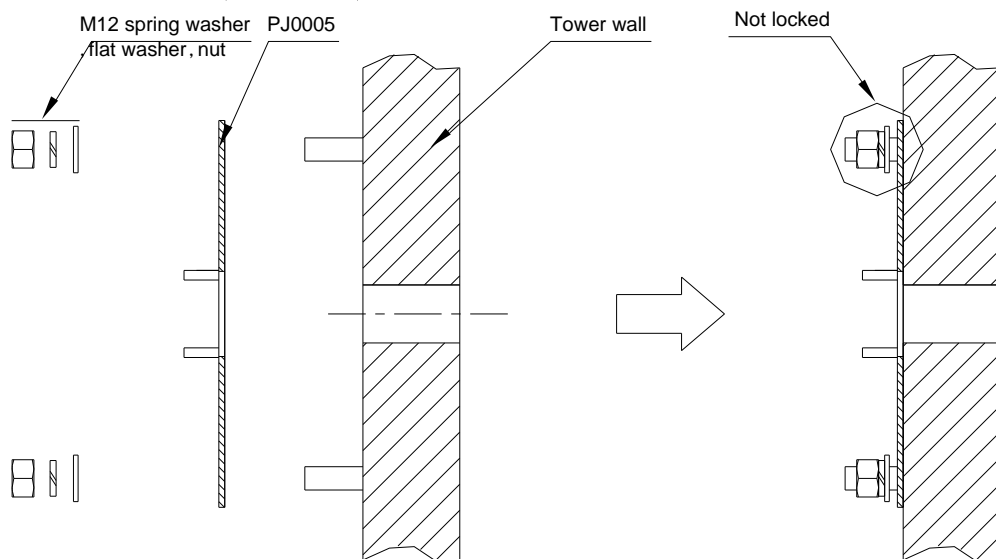


Wiring diagram



Installation method of use

1. Install the matching mounting plate PJ0005 on the four studs reserved on the tower wall, and fix it with M12 nut, spring washer and flat washer (not locked).

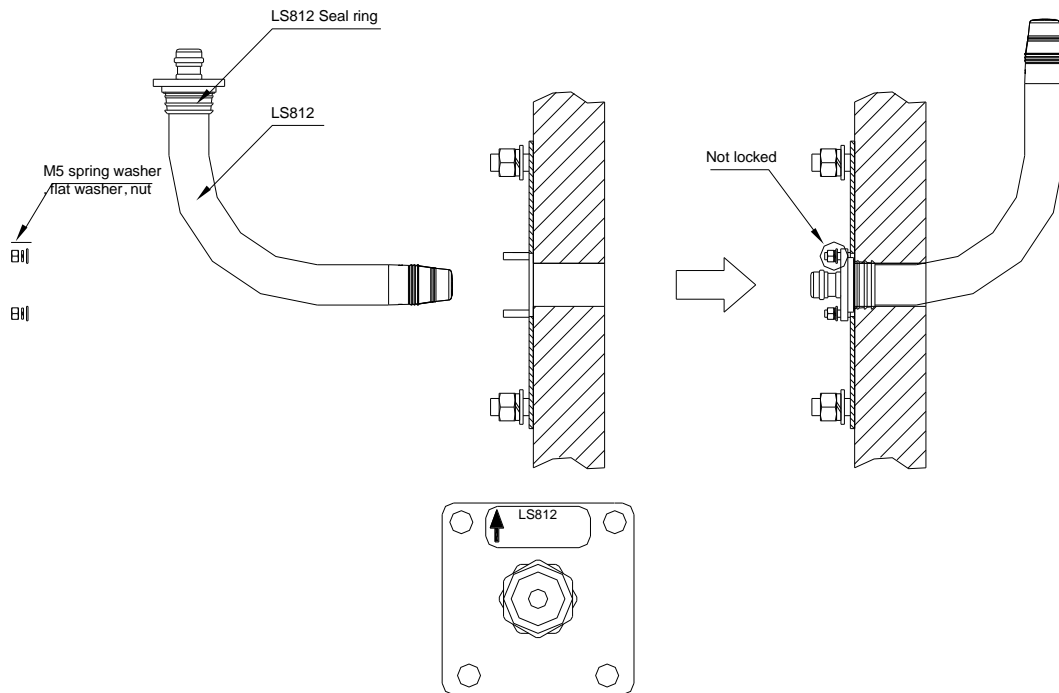


LS812

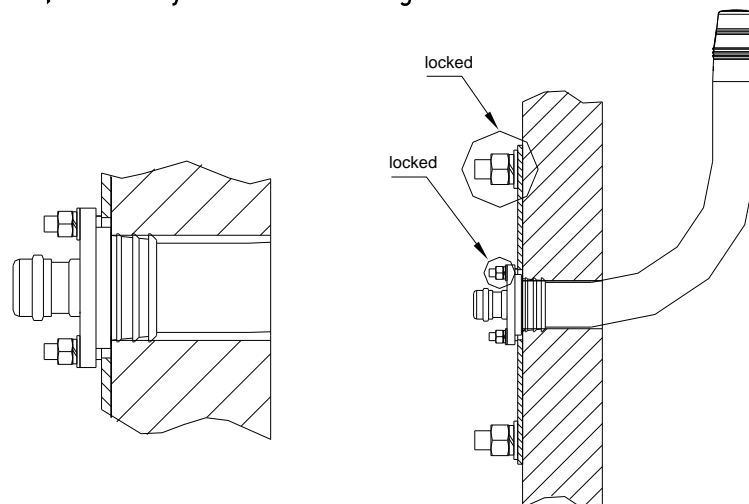
Low Intensity Tower Obstruction Light



2. Pass LS812 through the center hole of the mounting plate PJ0005 and the hole in the tower wall, and fix the four $\varnothing 6$ mounting holes of the LS812 on the four studs of the PJ0005. During the whole fixing process, the arrow mark at the bottom of LS812 shall always facing up, and fixed with M5 nut, spring washer and flat washer(not locked).



3. Fine-tuning the PJ0005 and LS812 to ensure that the seal ring on the LS812 fits tightly with the hole in the tower wall, locks the PJ0005, and finally locks the retaining nut of LS812.



Caution

- The part of material of products is PC(like lamp cover and lamp shell), so it cannot direct or indirect touch the organic solvent, such as industrial alcohol, banana oil, Isopropanol , Carbon tetra chloride, cyclohexanone and so on, otherwise, the product will be corrosion cracking.
- Ensure the power connection part is correct before using and temperature rise when light working is normal phenomenon.
- Please do not open any components inside by yourself and do not look light horizontally to protect your eyes while the light working.
- This product is a sealed structure, it can't be disassemble by non-professional personnel, or the warranty

LS812

Low Intensity Tower Obstruction Light



expires.

How to Order

Product No.	Type	Input voltage	Color	Work mode	Photocell	Wiring method
-------------	------	---------------	-------	-----------	-----------	---------------

Thank you for using our products, NANHUA as a signal transmission and high quality industrial lighting professional brand, Deeply trusted and loved by users in different industries around the world. Please be sure to use this product correctly on the basis of reading and understanding the instructions. Incorrect installation and use may cause fire, electric shock, etc. Due to