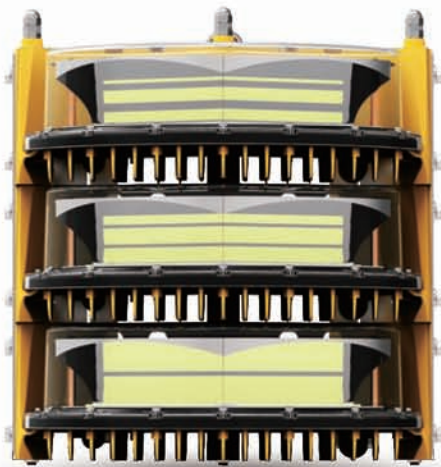


LH88 High Intensity Obstruction Light

LH88-E0-V10



Features

- Precise optic
- State of the art high bright LEDs
- Communication methods RS485 interface Modbus Standard
- Ultra-capacitor charge and discharge power supply
- Auto intensity compensation if each channel driver failure detected
- Auto power off when working temperature over 90°C
- LEDs failure detection FDR 12.5% [1 tier], FDR 6.25% [2 tiers], FDR 4.16% [3 tiers]
- Provides 270,000 cd White Flashing
- Flash pattern 20fpm/30fpm/40fpm/60fpm
- EMC approved according to EN55015
- PWM intensity dimming
- UV resistant polycarbonate lens
- GPS & Local synchronous clock
- Low wind load factor

Main Specifications

Electrical Characteristics

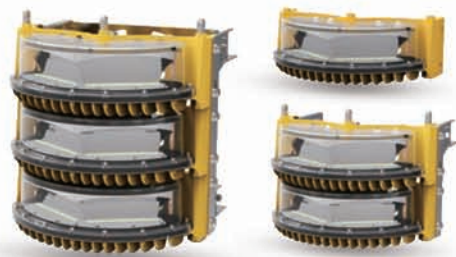
Operating VoltageLamp	100-130 V AC 50/60Hz
	200-260 V AC 50/60Hz
	48 V DC
Power Consumption	average 200w @day mode 40fpm 270,000 L-856
	average 150w @day mode 40fpm 140,000 L-857
	average 240w @day mode 40fpm 200,000 ICAO A
	average 130w @day mode 40fpm 100,000 ICAO B
Lightning protection	6KV

Mechanical Characteristics

Body Material	Powder coated die casting Aluminum
Body Color	Yellow RAL 1003
Operating Temperature	Ta -40° to +60°
Weight	Flashead 18kg Junction box 7.3kg
Installation	Angle bracket 9.2kg
IP rating	IP66

Impact and shock resistant, vibration proof

LH88 series high intensity obstruction light is designed according to ICAO Annex 14 Volume 1-6th Edition July 2013 Chapter 6 Type A/B/C and FAA AC 150/5345-43F E.B.#67 Type dUAL I856/857. With cutting edge LEDs Technology, LH88 obstruction light is the best choice on Skyscraper, Masts, Chimneys, Wind Turbines on shore and offshore.

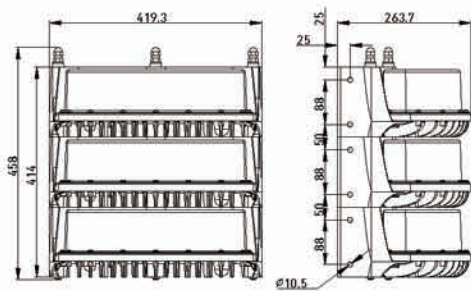


Optical Characteristics

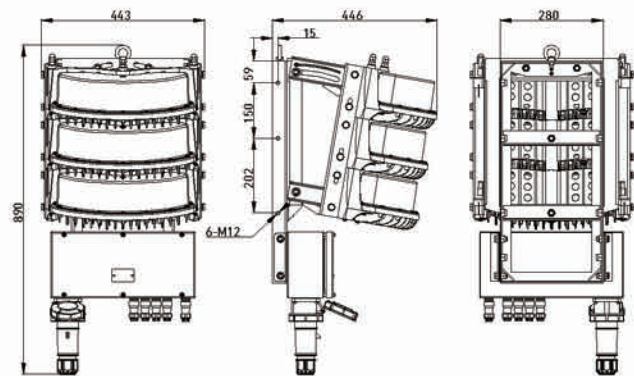
Intensity	270,000 cd @day mode White flashing $\pm 25\%$
	140,000 cd @day mode White flashing $\pm 25\%$
	200,000 cd @day mode White flashing $\pm 25\%$
	100,000 cd @day mode White flashing $\pm 25\%$
Horizontal beam spread	120°
Vertical beam spread	5°
Flash pattern	20fpm / 30fpm / 40fpm* default / 60fpm
Optics	Reflector with PC cover

Mounting Dimensions

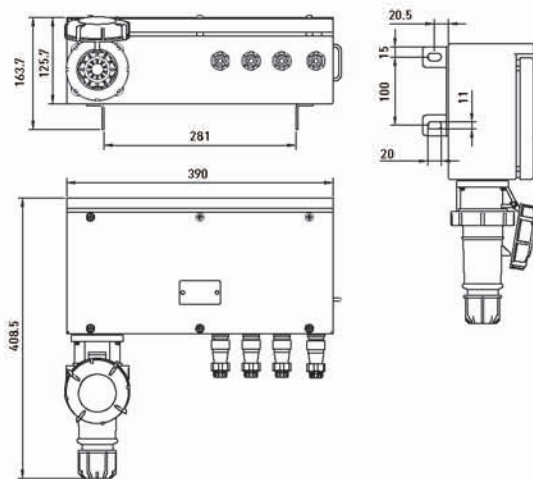
Flashhead



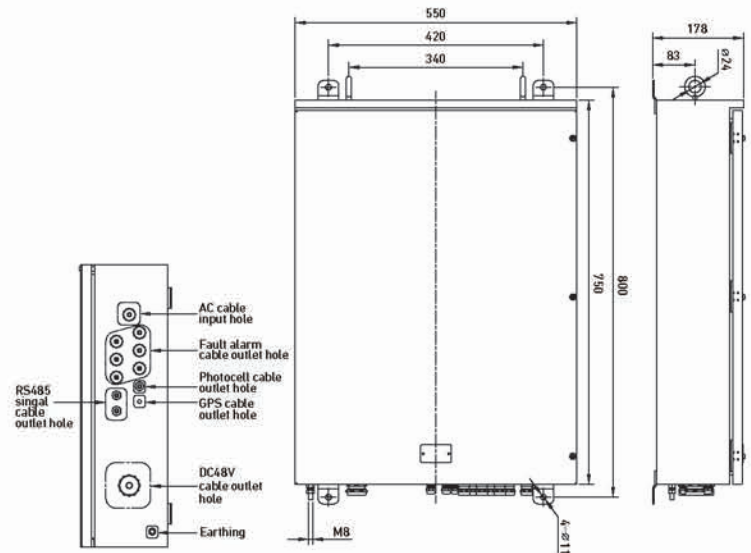
Flashhead + Junction box



Junction box



Power Cabinet AC / DC



Artical No.	Description	Input Voltage	Color	Flashing rate	Photocell	Synchronize	Fault Alarm
1000257-001	FAA-L856(High intensity light type A)	AC100V-AC130V	White	Default 40 times/min.	Yes	GPS Synchronize	Yes
1000257-002	FAA-L856(High intensity light type A)	AC200V-AC260V					
1000257-003	FAA-L857(High intensity light type B)	AC100V-AC130V					
1000257-004	FAA-L857(High intensity light type B)	AC200V-AC260V					
1000257-005	ICA0-High intensity light type A	AC100V-AC130V					
1000257-006	ICA0-High intensity light type A	AC200V-AC260V					
1000257-007	ICA0-High intensity light type B	AC100V-AC130V					
1000257-008	ICA0-High intensity light type B	AC200V-AC260V					