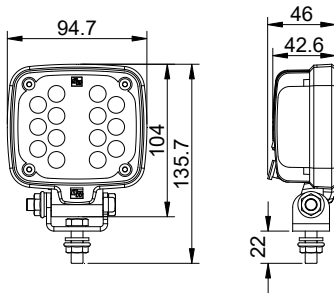
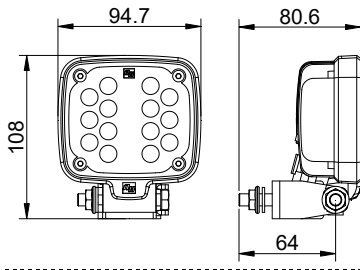
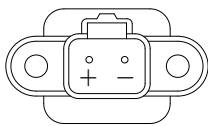



Mounting Dimension (Unit: mm)

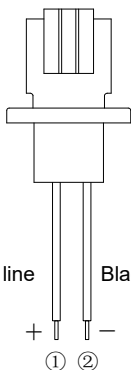
Mount type 1:



Mount type 2:


Wiring connection


Connector (come with the fixture)



DT06-2S (Equip by user)

DC9V-DC14V / DC18V-DC32V

Products description and application

LW15 LED work light is based on mining machinery lighting technology, use high power LED light source, with long lifespan, safe operation, low maintenance cost, compact and super vibration design. It applied for the lighting system of various engineering machinery, mining machinery, heavy truck, etc.

Features

- Selection of high power LED light source based on mining machinery lighting technology, it features low power consumption, long lifespan.
- High strength structure design, aluminum body features excellent heat emission, anti oxidation and corrosion resistance ability for long term stable operation.
- Seal structure, pass the salt spray test.
- -45°C~+45°C mounting angle, with excellent lighting and wide scope of irradiation.
- Wide range of input voltage, over-voltage protection, vehicle-class constant current drive, can be applied to complex power environment.
- The EMC in accordance with EN 55015, do not interfere with the signals of other electronic equipment.
- Comply with IEC61000, lightning surge: 1KV, Electrostatic discharge: 8KV.
- The integrated design for cover and lens, the light distribute evenly.

General specifications

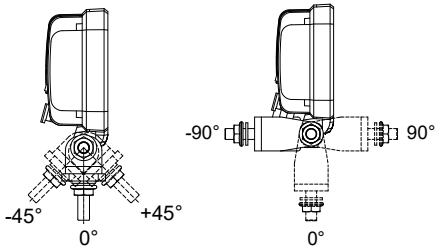
Rated voltage	DC12V	Rated power	14W
	DC24V	Rated power	14W/16W/18W
Input voltage	DC9V-DC14V /DC18V-DC32V	LED lifespan	≥ 50 , 000h
Fixture lumens	1300 lm ~ 1800 lm	Beam angle	30°
Operating temperature	-40°C ~ +85°C	Color temperature	≤ 2700K 5500K-6000K
Electrical design	Integrated	Wiring method	DT06-2S connector
Vibration level	30G	IP rate	IP68/IP69K
Impact level	60G	Salt Spray level	C5-M
IK level	IK08(6.5J)	Weight	0.4kg
Humidity	10% ~ 95% RH	Material	Lens: PC Base: Aluminum alloy
EMC	EN55015/CISPR 15	Mounting	M8 screw bolt

Mounting

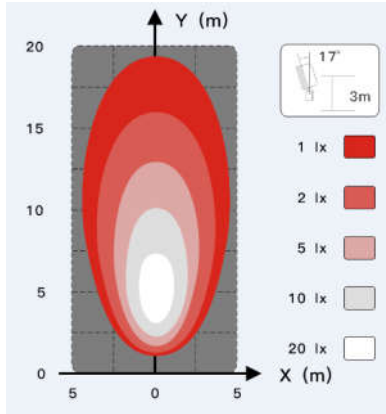
- The fixture comes with DT04-2P connector, please use the matched DT06-2S connector when wiring.
- Please refer to the right figure for wiring position (wiring connection) " ① " power supply connection " + " ; " ② " power supply connection " - " .
- The mounting bracket of fixture is fixed with the mounting surface by the M10 screw bolts and flange nuts, the mounting surface should be flat and have sufficient mechanical strength.
- Angle adjustment according to the actual requirements, the adjustment range of vertical beam is -45° ~ +45° or -90° ~ +90°.
- The product is maintenance-free, pls add the fuse (3-5A) at the access point of power supply.

Angle adjustment

Type 1: -45°~+45° Type 2: -90°~+90°



Lighting pattern



Simulation



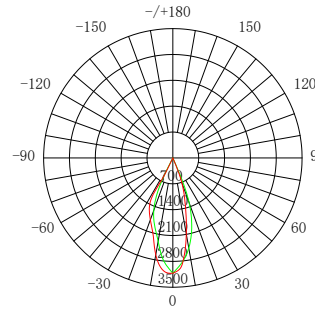
Note:

- The vertical beam and horizontal beam of the product are adjustable, please adjust the product to the appropriate angle and tighten the screws.
- The cover material is PC, it can not be directly or indirectly to organic solvents, such as industrial alcohol, lacquer thinner, isopropyl alcohol, carbon tetrachloride, cyclohexanone, etc, otherwise it will affect product lifespan.
- Make sure the accessed power supply and voltage matches the nominal voltage if the product, this product with anti-reverse connection protection.
- High luminance output, please to avoid look direct at the light.
- Temperature rise is a normal condition when the product is operating.

Light distribution pattern

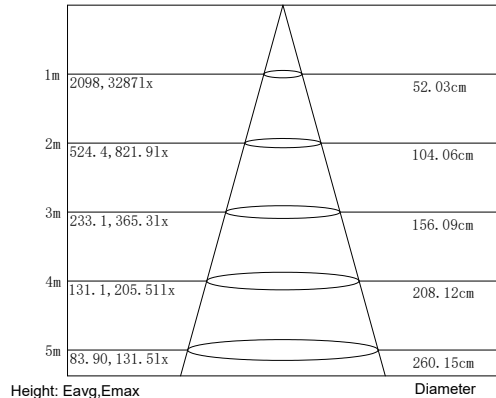
(Left pattern: Light intensity distribution curve Right Pattern: Illumination cone curve)

1. 14W

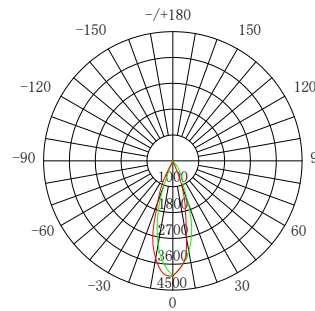


Mean beam Angle (50%) : 29.7°

Light intensity:cd
 — V 0.0°plane 29.2°
 — H 0.0°plane 30.1°

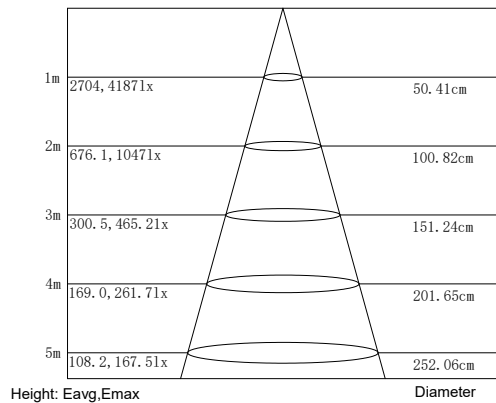


2. 16W

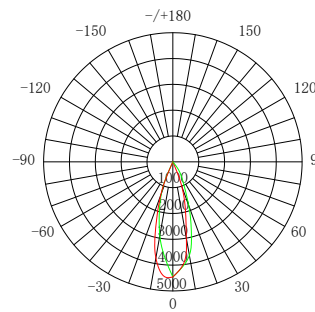


Mean beam Angle (50%) : 29.8°

Light intensity:cd
 — V 0.0°plane 29.1°
 — H 0.0°plane 30.4°

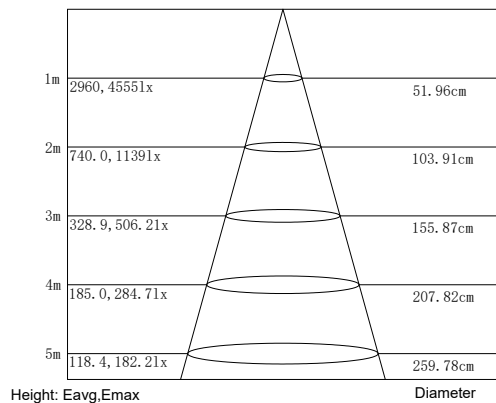


3. 18W



Mean beam Angle (50%) : 29.8°

Light intensity:cd
 — V 0.0°plane 29.1°
 — H 0.0°plane 30.4°



How to order

P/N	Rated voltage	Rated power	Color temperature	Fixture Lumens
1000306-001	LW15 S D1 14W W C D 1 0	14W	2700K	1226Lm
1000306-002	LW15 S D1 14W C C D 1 0	14W	5500K-6000K	1410Lm
1000306-003	LW15 S D2 14W W C D 1 0	14W	2700K	1260Lm
1000306-004	LW15 S D2 14W C C D 1 0	14W	5500K-6000K	1450Lm
1000306-005	LW15 S D2 16W W C D 1 0	16W	2700K	1426Lm
1000306-006	LW15 S D2 16W C C D 1 0	16W	5500K-6000K	1640Lm
1000306-007	LW15 S D2 18W W C D 1 0	18W	2700K	1560Lm
1000306-008	LW15 S D2 18W C C D 1 0	18W	5500K-6000K	1800Lm