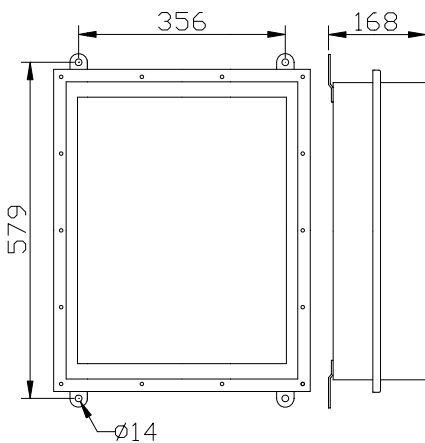




Mounting dimension (unit: mm)



Application:



**Applications**

For marking Towers (Telecom, GSM), Smokestacks, Buildings and any other potentially hazardous obstructions to air traffic.

**Major functions&Features**

- Based on LED technology and meets optics standard.
- LED technology, work long life time, extremely reliable and cost saving.
- Working temperature: -40°C ~ +55°C , can be used in very harzard conditions .
- Tempered glass lens, good impact resistance, thermal stability and glossiness.
- SUS 304 shell, shock resistance and corrosion resistance.
- Flash sychronous with built-in GPS mould based on UTC
- Built-in power supply and control circuit, easy for mounting.

**Specification**

International Standard	ICAO( Annex )High intensity TypeA; FAA-L856	Intensity	Day: ≥210000cd Twilight: 20000cd±25% Night: 2000cd±25%
Light source	LED , 192pcs	Flashing rate	40FPM
LED life	≥100,000h	Horizontal degree	90°
Voltage	AC100V ~ AC240V	Vertical degree	3°-7°
Power consumption	320W(Max)	Color	White
Photocell On/off level		500Lux	
Operating temperature	-40°C ~ +55°C	Ingress protection	IP65
Humidity	10% ~ 95% (no coagulation )	Anti-wind ability	50m/s
Material	Shell: SUS304 Lens: Tempered glass	Weight	22kg

**Installation and operation**

- Secure the light on a smooth surface which has enough strength, if there is no mounting surface, we can customize special mounting bracket as request.
- When install the light, do not install the photocell towards the light beam around, and also ensure the photocell is not covered by something.
- Make sure the power supply can match the rated power of light before connecting.
- Open the nameplate cover, connect power cable and earth wire to corresponding terminals through waterproof gland.
- Check whether the power cables are connected correctly before power on.

**Notice**

- Ensure that the power connection part is correct before using.
- Please do not open any components inside when light is working.
- This product is a sealed structure,please do not open any components inside by yourself.