



controller



YH25-3/YH50-3

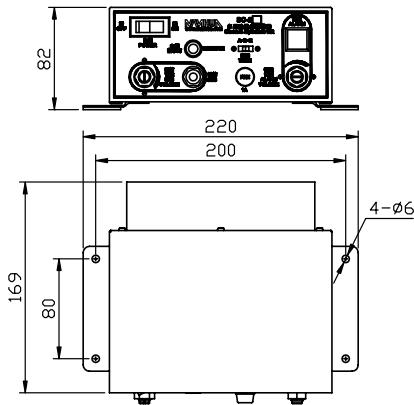
YH10-2



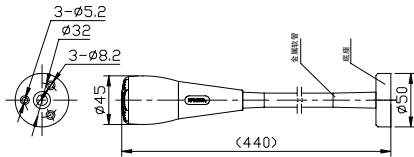
SE

SS

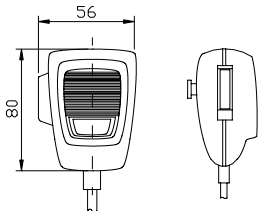
Mounting dimension diagram(unit :mm)



controller



SE Goose-neck microphone



SS Speaker microphone

Applications

Used in the cabs of engineering machinery (travelling cranes、crawler cranes、truck cranes etc.) , harbor crane (gantry crane、bridge crane etc.) .

Major functions and features:

- Various tones for selection
- Volume adjustable
- Microphone & Loudspeaker available
- With alarm time delay function (optional)
- Give warning light and alarm at the same time (optional)
- Several kinds of combination mode for choose

Specifications:

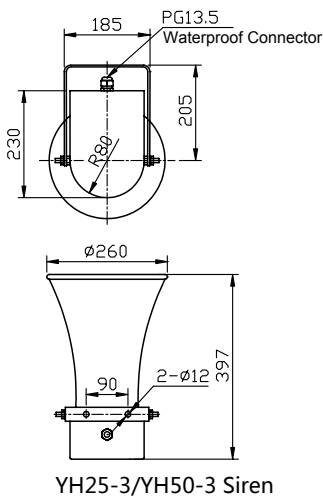
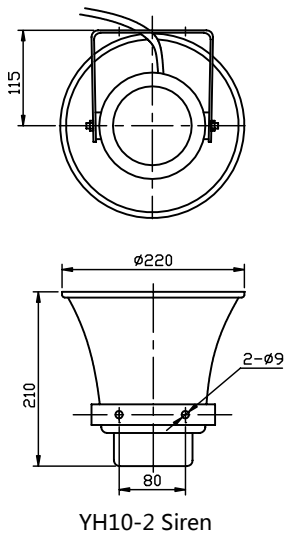
Voltage	AC24V/AC36V/AC110V/AC220V/AC380V/DC24V (optional)	Frequency	50Hz~60Hz
Alarm tone	A、B、E (customized available)	Power	10W~50W
Speaker	50W/16Ω	dB	106dB~110dB
Working temperature	-20°C ~ +70°C	Material	Controller : Cold-rolled plate
Working humidity	10% ~ 95% (non-condensing)	Weight	controller : 3kg

Mounting & operation:

- Mount the device onto mounting surface with M5 screws, the mounting surface should have enough strength to hold the device.
- Wiring the device base on "wiring schematic" , connect external devices like microphone and loudspeaker. Connect power cable, ground cable; turn the power on after double check.
- Speak into the microphone by pressing the switch; Send alarm signal by pressing switch on the front panel or at the back panel; volume could be adjusted depends on the background noises.
- Select alarm tone by switch the "tone switch" .

Notice:

- Controller is for indoor use only.
- Connect cables in the right way, do not shortcut.
- Speaker power should with standard configuration.
- Temperature increasing when using will happen.
- Do not open controller box. Any questions please contact us.
- Do not empty load the speaker output terminal on controller to prevent burn out.



Mode selection

Mode	Configuration	Wiring schematic
BC-2Y	controller + SS microphone	
BC-2II	YH10-2 10W/8Ω 1pcs	
BC-2B	controller + SS microphone + YH25-3 25W/16Ω 1pcs	
BC-2C	controller + SS microphone + YH25-3 25W/16Ω 2pcs	
BC-2F	controller + SE microphone + YH25-3 25W/16Ω 1pcs	
BC-2K	controller + SE microphone + YH50-3 50W/16Ω 1pcs	
BC-2X	controller + SE microphone + YH25-3 25W/16Ω 2pcs	
BC-2W	controller + SS microphone + YH50-3 50W/16Ω 1pcs	

Application

