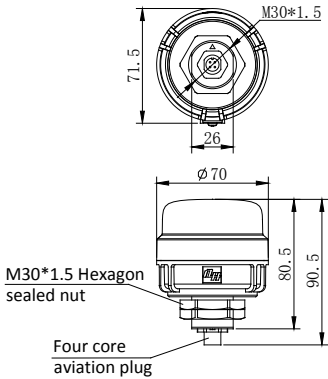
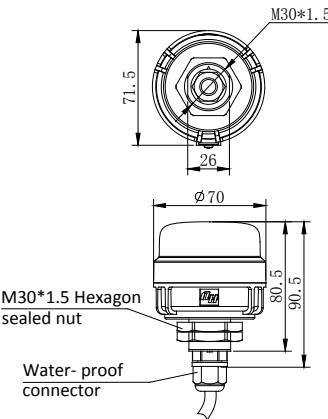




Mounting dimension (unit: mm)

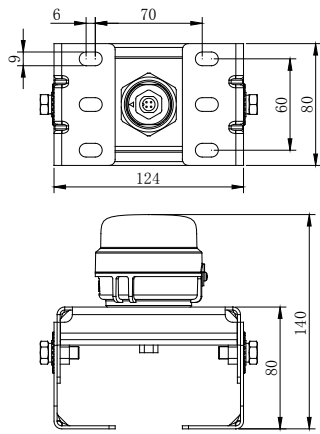


Single light(with four core aviation plug)



Single light (sheathed outgoing line)

Dimension of adjustable mounting bracket (unit: mm)



PJ071 Mounting bracket of single light

Application

Suitable for assistance of hoisting machinery and signal indication of industrial sites.

Major functions and features

- Lamp base is composed of nylon plus fiberglass, its major feature is light weight, high strength, aging-resistance, sealed construction, waterproof and dustproof.
- Imported high- power LED as light source with features of energy conservation, shock resistance,maintenance- free. Use mature constant current technology to increase reliability and stability.
- Integrated housing using high light transmission material together with optical processing technology to improve light efficiency.
- Provide wiring of M12- 4P standard aviation plug or built- in outgoing line.
- Flexible combination: provide different kinds of installation methods to satisfy different application sites, mounting bracket's angle is adjustable from 0° to 180°.


Specification

Working voltage	AC100V~AC265V / DC18V~32V (can be customized)	Supply frequency	50Hz~60Hz
Rated power	≤5W	Color	Red, yellow, green, blue or white
Visible range	>300m	LED lifespan	≥100,000h
Wiring	Built- in outgoing line/ aviation plug (AC100V~AC265V and above is not suitable for aviation plug)	Outgoing line length	1M/8M (can be customized)
Working temperature	-40°C ~ +70°C	IP rating	IP66
Working humidity	10% ~ 95% (no condensation)	Material	Base: PA6+15%GF Housing: PC Mounting bracket: SUS304

Installation and operation

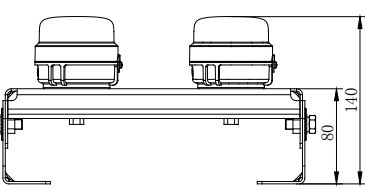
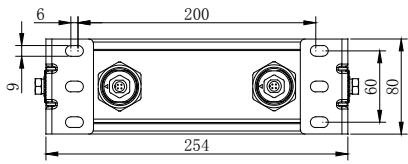
- Make sure the power supply can match the rated power of light before connecting.
- Single light using M30*1.5 Nylon nut fixed with the mounting surface.
- Combination light's mounting bracket using 4 M8 screw with spring washer and plain washer to fix with the mounting surface. The mounting surface should be flat and with enough mechanical strength.
- Connect the power line according to the signal definition chart of the outgoing line.
- Check again before connect to the power, the corresponding light will be lit when the power is on.

Wiring diagram

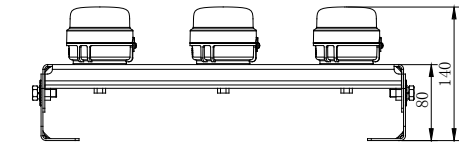
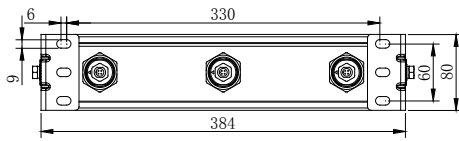
Wiring method	Wiring definition		
Built in outgoing line Three core cable 3X0.5mm ²	AC100V~AC265V	Red line L	Black line N
	DC18V~32V	DC+	DC-
Plug (Front view pin diagram)	Voltage	DC18V~32V	AC100V-AC265V /DC18V~32V
	Plug definition	 1, 2-NC 3-DC- 4-DC+	Red - L/ DC+ Black - N /DC- Yellow- green (AC)- GND

Notice

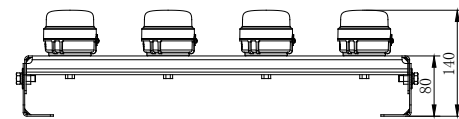
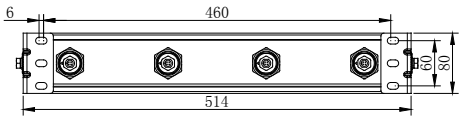
- The part of material of products is PC(like lamp cover and lamp shell), so it cannot direct or indirect touch the organic solvent, such as industrial alcohol, banana oil, isopropyl alcohol, carbon tetrachloride, cyclohexanone and so on, otherwise, the product will be corrosion.
- Please read the instructions carefully and use the product correctly.
- DO NOT reverse the polarity of the power supply during installation and usage.
- Please contact us if you have any problem during usage.



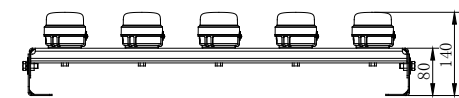
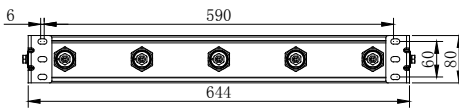
PJ072 Mounting bracket of dual light



PJ073 Mounting bracket of triple light

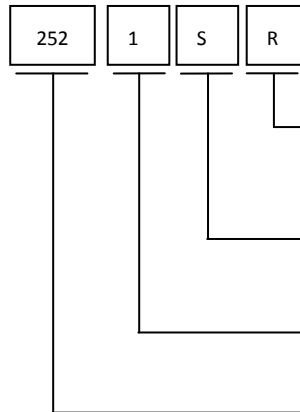


PJ074 Mounting bracket of four lights



PJ075 Mounting bracket of five lights

Code rule of product



The sixth digit: color emitting. R= red, G= green, B= blue, Y= yellow, W= white.
The fifth digit or alphabet: Product function (Digit as flashing mode, alphabet as steady burning mode). S or 1= aviation plug; C or 2= built-in outgoing line.
The fourth digit: Voltage type. 0=AC100~AC265V; 1= DC18V~32V ;
The first, second, third digit: Product type no. (LR07)

E.g.: Product code: 2521SR, product: 252= LR07, 1= DC18V~32V, S= steady burning+ aviation plug, R= red.

First order code (3 digits)	Second order code (1 digit)	Third order code (1 digit)	Fourth order code (1 digit)
Product type	Voltage type	Product function	Color emitting

Note: AC voltage only equipped with three core outgoing line, no aviation plug.

Product code and function chart

Product code	Product type	Voltage type	Product function	Color emitting
2520CR	LR07	AC100V~265V	Steady burning/ Built in outgoing line	Red
2520CG	LR07	AC100V~265V	Steady burning/ Built in outgoing line	Green
2520CY	LR07	AC100V~265V	Steady burning/ Built in outgoing line	Yellow
2520CB	LR07	AC100V~265V	Steady burning/ Built in outgoing line	Blue
2520CW	LR07	AC100V~265V	Steady burning/ Built in outgoing line	White
2521CR	LR07	DC18~32V	Steady burning/ Built in outgoing line	Red
2521CG	LR07	DC18~32V	Steady burning/ Built in outgoing line	Green
2521CY	LR07	DC18~32V	Steady burning/ Built in outgoing line	Yellow
2521CB	LR07	DCDC18~32V	Steady burning/ Built in outgoing line	Blue
2521CW	LR07	DCDC18~32V	Steady burning/ Built in outgoing line	White
25202R	LR07	ACAC100V~265V	Flashing/ Built in outgoing line	Red
25202G	LR07	ACAC100V~265V	Flashing/ Built in outgoing line	Green
25202Y	LR07	ACAC100V~265V	Flashing/ Built in outgoing line	Yellow
25202B	LR07	ACAC100V~265V	Flashing/ Built in outgoing line	Blue
25202W	LR07	ACAC100V~265V	Flashing/ Built in outgoing line	White
25212R	LR07	DCDC18~32V	Flashing/ Built in outgoing line	Red
25212G	LR07	DCDC18~32V	Flashing/ Built in outgoing line	Green
25212Y	LR07	DCDC18~32V	Flashing/ Built in outgoing line	Yellow
25212B	LR07	DCDC18~32V	Flashing/ Built in outgoing line	Blue
25212W	LR07	DCDC18~32V	Flashing/ Built in outgoing line	White

Application picture



Product code and function chart

Product code	Product type	Voltage type	Product function	Color emitting
25211R	LR07	DC18~32V	Flashing/ aviation plug	Red
25211G	LR07	DC18~32V	Flashing/ aviation plug	Green
25211Y	LR07	DC18~32V	Flashing/ aviation plug	Yellow
25211B	LR07	DC18~32V	Flashing/ aviation plug	Blue
25211W	LR07	DC18~32V	Flashing/ aviation plug	White
2521SR	LR07	DC18~32V	Steady burning / aviation plug	Red
2521SG	LR07	DC18~32V	Steady burning / aviation plug	Green
2521SY	LR07	DC18~32V	Steady burning / aviation plug	Yellow
2521SB	LR07	DC18~32V	Steady burning / aviation plug	Blue
2521SW	LR07	DC18~32V	Steady burning / aviation plug	White

Mounting dimension of adjustable mounting bracket (single light)

- Put LR07 with silicone pad into the hole of the mounting bracket, different color's display order can be adjusted according to the application on site (procedure ①).
- Tightening 2 hexagon M30*1.5 nylon nuts clockwise from the back of the mounting bracket to fix the signal light (can not be loose) (procedure ①).
- After fixing the signal light, use a cross slot self-tapping screw at the joint of nut and base to prevent backsliding (procedure ②).
- Use 4 hexagon M8 bolts with spring washer and plain washer to fix the adjustable mounting support (both sides) with the mounting surface.
- Slightly loose the M8 hexagon adjusting bolts on both sides counter clockwise. According to the application on site, the angle can be adjusted from 0°~ 180°, 15° per grid (procedure ③).
- After adjusting the angle, tightening the M8 hexagon adjusting bolts on both sides clockwise with no loose (procedure ③).
- Finally, connect the power line according to Wiring diagram, the light will be lit when the power is on.

